

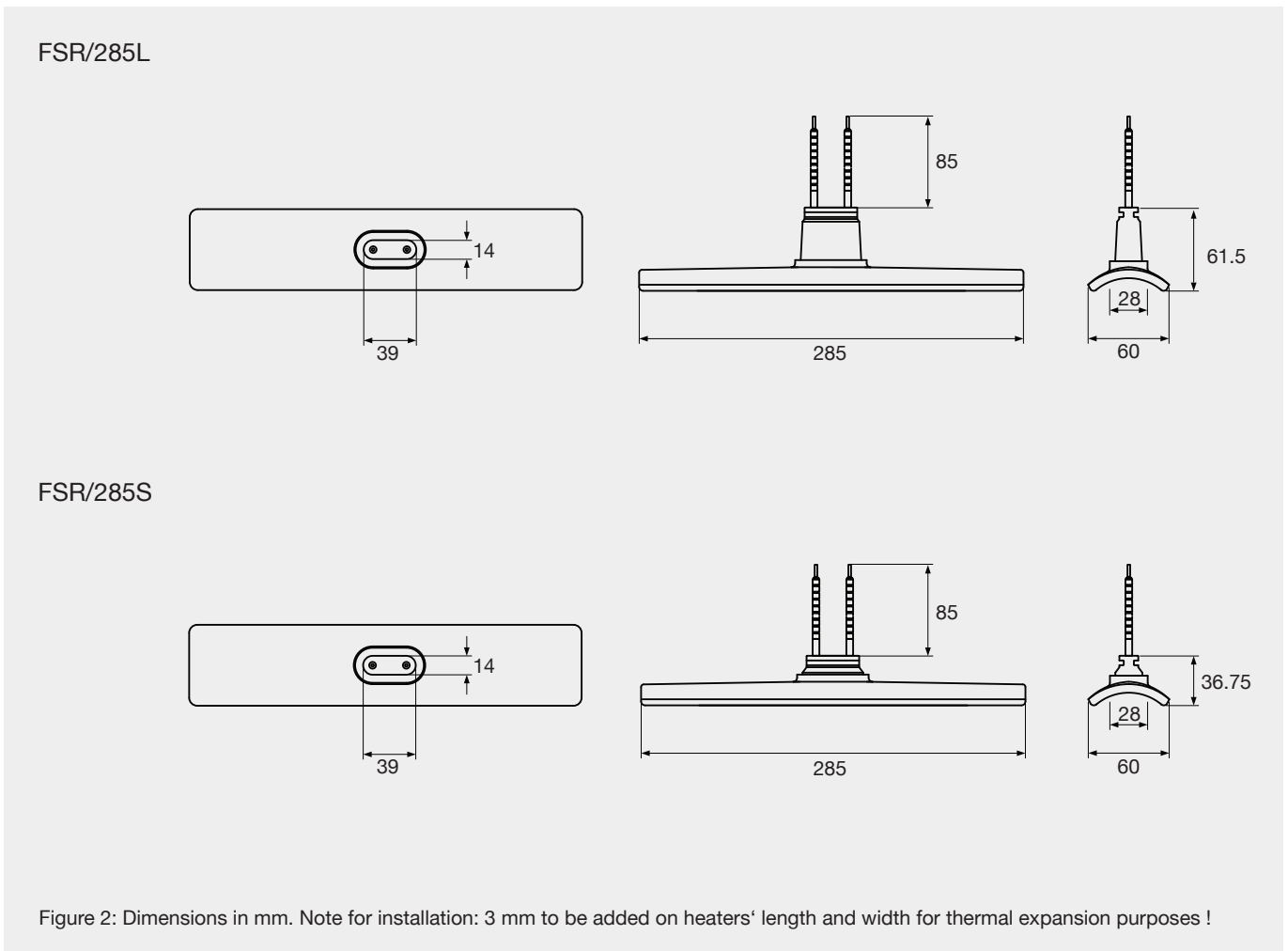
Figure 1: Elstein FSR/285L and FSR/285S

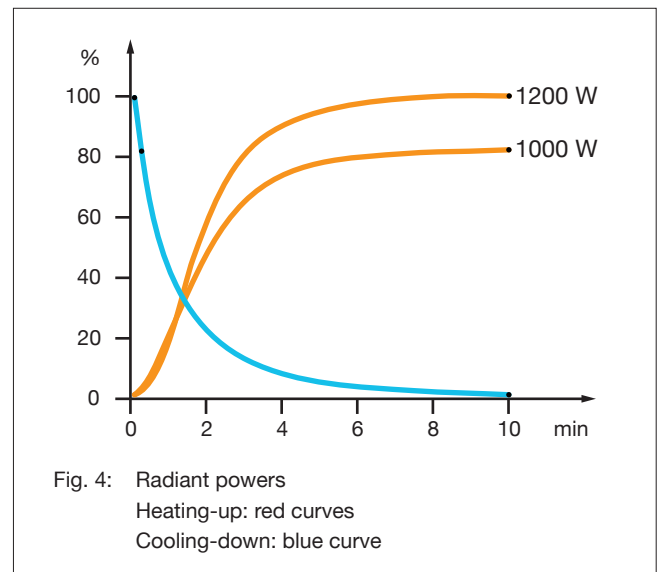
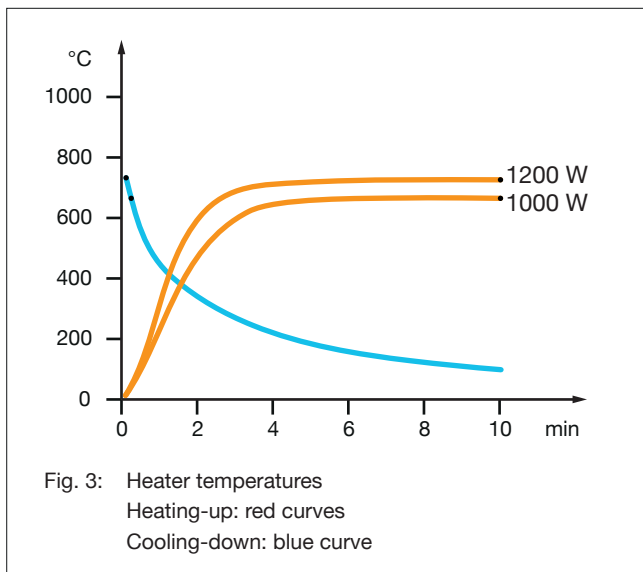
Elstein FSR/285L and FSR/285S panel heaters are ceramic infrared heaters, which are designed for operating temperatures up to 720 °C. Surface ratings of up to 67 kW/m<sup>2</sup> can be installed.

These heaters are made using a full-pour casting ceramic process and are characterised by their concave design. Due to the design of this type, there is a space between the heater and mounting plate, which reduces the heat absorbed by the wiring space.


The type FSR/285L enables placing a thermal insulation layer between the infrared heater and the wiring compartment of the heating panel.

With its Ceramic IR Heaters of the series FSR, the company Elstein-Werk has been setting design, type, power and quality standards, recognised worldwide since 1952, for ceramic infrared panel heaters.





Type, weight, wattage	FSR/285L	270 g	1000	1200	W
	FSR/285S	230 g	1000	1200	W
Installable surface rating			55.6	66.7	kW/m <sup>2</sup>
Typical operating temperature			to 650	to 720	°C
Maximum permissible temperature			750	750	°C
Wavelength range			2 - 10		µm

<p><b>Standard design</b></p> <p>Operating voltage 230 V Ceramic full-pour casting Leads 85 mm Elstein standard socket Mounting set</p>	<p><b>Thermocouple heaters</b></p> <p>Designation T-FSR/285L, T-FSR/285S Integrated thermocouple Type K (NiCr-Ni) TC leads 100 mm</p> 	<p><b>Variants</b></p> <p>Special wattages Special voltages Extended leads Leads with ring terminals Coloured glazes</p>
---	--	--

The power can be controlled using thermocouple heaters together with TRD 1 temperature controllers, TSE thyristor switching units and other accessories.

The national safety regulations must be complied with for the respective application, for example, the IEC or EN standard 60519-1, Safety in electrical heating installations.

Our instructions for mounting, operation and safety must be observed.